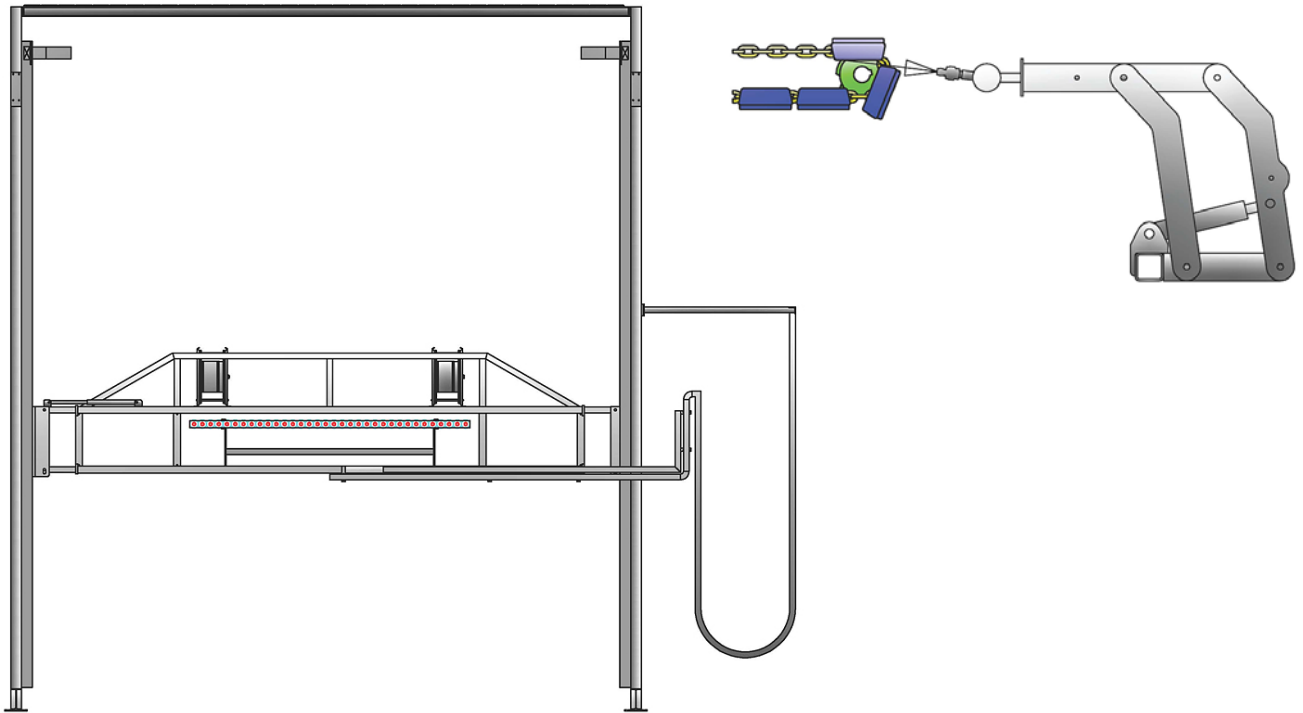




Trailer cleaning system



Length	mm	4.120
Width	mm	5.000
Height	mm	6.010
Electrical power installed	kW	3x 400V 16A +N+GND
Water pressure	Bar	40
Water circulation	l/min	360

Trailer cleaning system



- The Peer System trailers are cleaned and disinfected by a semi automatic machine.
- The machine cleans every single load platform twice.
- The washing machine is hydraulic controlled.
- Less providing assistance needed because there is no requirement of crates and containers that need to be maintained.